

GoLift

Compact &
stylish, for
discreet
installations



Ceiling lift system
designed for routine
transfers of patients





Aesthetically pleasing
and the most compact
ceiling lift in its class

State-of-the-art lifting

GoLift boasts state-of-the-art battery technology coupled with all-metal gears that allow the caregiver to safely, and effortlessly, transfer a patient weighing up to 318 kg on a single lift. For larger patients, you can combine two compact GoLift 700 systems for a lifting capacity of 500 kg.

Ready to lift in any installation

Our modular track system gives you flexibility to suit the needs of any working environment. Depending on how the hoist is to be used, we are able to design and fit straight, curved and XY (full room coverage) track configurations together with transition gates and turntables.



GoLift is the perfect partner for even the most complex installations



Its functional design is suited to everyday use



Functional design

The smooth edges and rounded corners of GoLift and its accessories are not only aesthetically pleasing but help address infection control requirements.

Light but safe

GoLift weighs just 3.5kg which makes it both safe and easy to use. Its functional design gives quick access for battery changes, and makes simpler routine servicing.



GoLift has many class leading features



GoLift on our regular track is ideal for rooms with low ceilings

Track configurations

Straight Track

Curved Track (15,30,45,90° curves)

Full Room Coverage (X/Y or H Systems)

Recessed track systems (optional)

All GoTrack Systems feature

Low weight and high capacity

Fast and flexible installation

Hidden End Stops for safety

Continuous charge

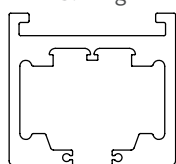


There are three GoLift track profiles

Regular

67 x 60 mm

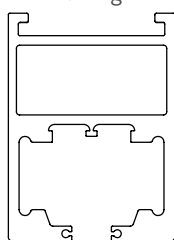
3.77 kg



Double

67 x 90 mm,

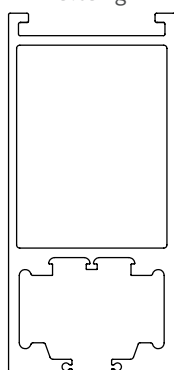
4.72 kg

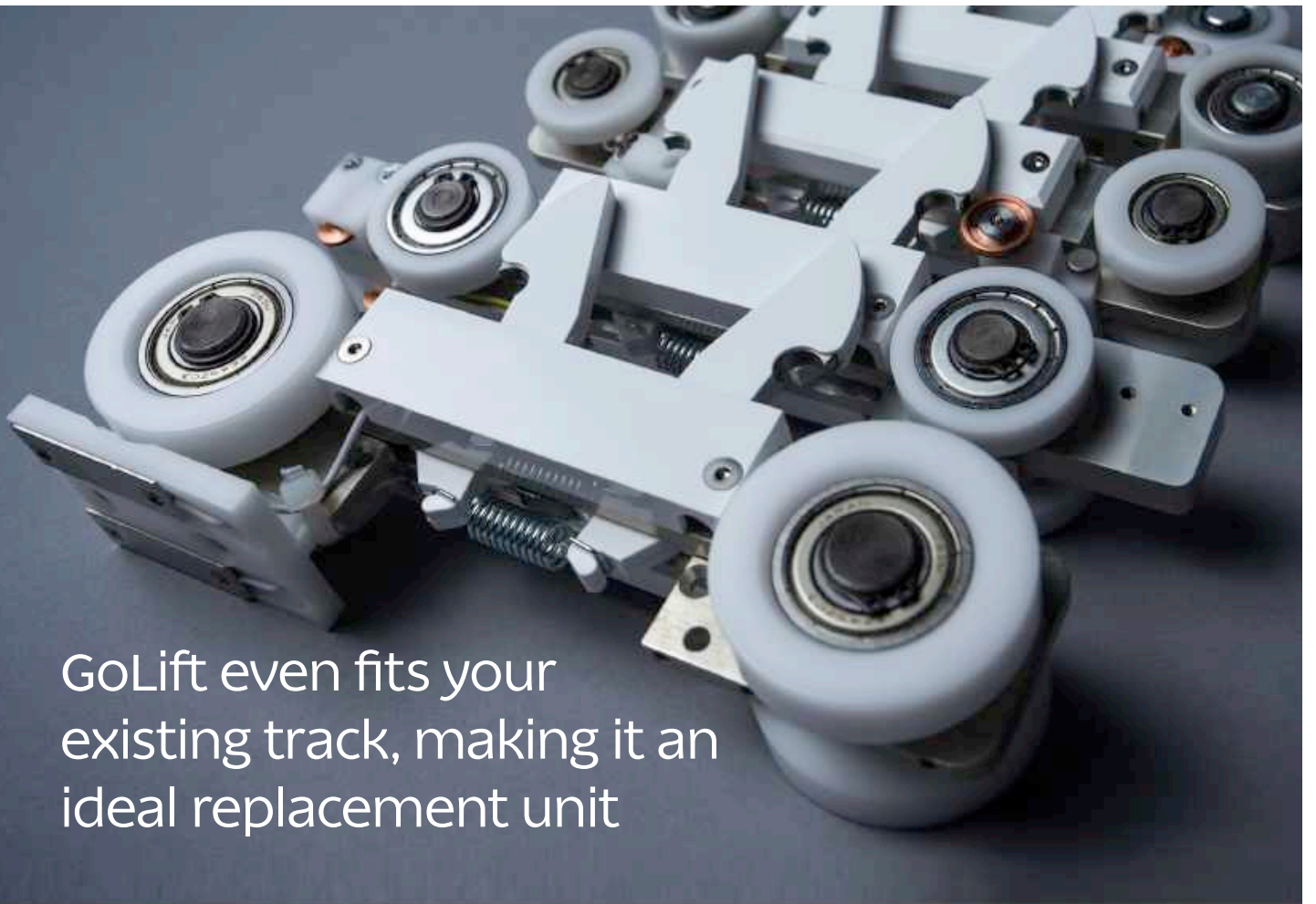


Triple

67 x 146 mm

5.65 kg



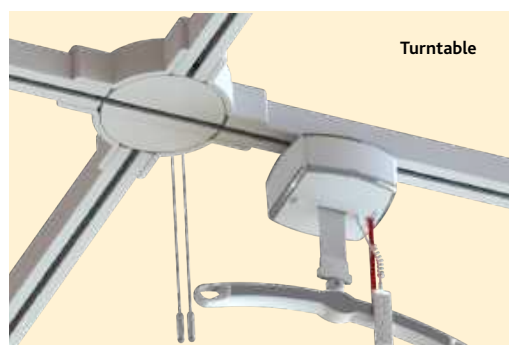
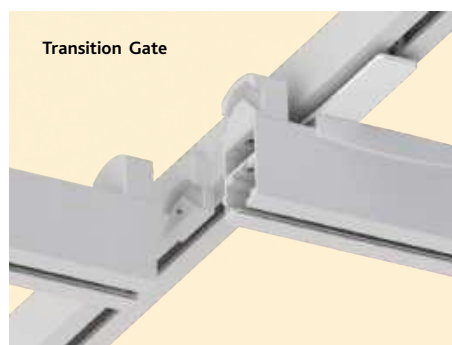
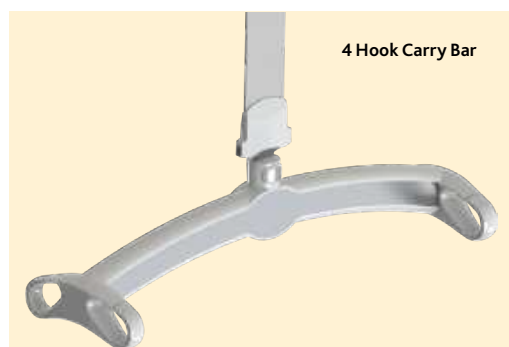
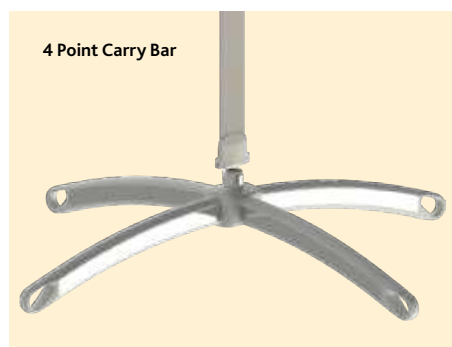


GoLift even fits your existing track, making it an ideal replacement unit

The unique quick connect design of our trolley adapters allow for easy installation and service, which will save you time and money!

If you need to replace your aging lifts, our patent pending GoLift can adapt to any existing track in your facility with our "Plug & Play" design.

GoLift accessories



GoLift has trolley designs compatible with the following brands of track:

- Arjo
- Guldmann
- Liko
- Prism
- Joerns

GoLift

Specifications and Listings

Weight Capacities

Product Code	Lift up to	Maximum Safe Working Load
GO-LIFT-400	Single Lift	Lift Up to 28st / 181 kg
GO-LIFT-700	Single Lift	Lift Up to 50st / 318 kg
GO-LIFT-1000	Tandem Lifts	Lift Up to 72st / 454 kg



Safe Working Load (SWL)

28st / 181 kg
 50st / 318 kg
 72st / 454 kg

Dimensions

28 & 50st / 181 & 318 kg:

Length: 197 mm
 Width: 197 mm
 Height: 108 mm
 Strap Length: 2134 mm

72st / 454 kg:

Length: 394 mm
 Width: 197 mm
 Height: 108 mm
 Strap Length: 2134 mm

Unit Weight

28st / 181 kg version: 3.5 kg
 50st / 318 kg version: 4.5 kg
 72st / 454 kg version: 9 kg
 (Tandem Lifts)

Lift Case

Flame retardant ABS

Safety

Emergency Stop
 Emergency Lowering Device
 Upper Limit Detection
 Lower Limit Detection
 Slack Tape Sensor
 Free Fall Brake
 (over speed governor)
 Low Battery and
 Dead Battery Alarms
 Soft Start and Stop
 Overload Protection
 Emergency Manual Lowering

Approvals

Certified to:
 Can/CSA-C22.2 No 60601-1:08,
 UL 60601-1:08
 Tested to: ISO 10535-06, CE

Hand Control

Capacitive Touch
 Protection Class: IPX0

Service Life

10 years or 22,500 cycles

Maximum Sound Level

<55 dB

Maximum Lifting Speed

No load: 50mm/second
 11st / 68 kg: 33mm/second
 28st / 181 kg: 25mm/second
 50st / 318 kg: 25mm/second
 72st / 454 kg: 25mm/second

Batteries

High Capacity, Nickel Metal
 Hydride (Ni-Mh)
 Standard: 2 x 14.4V (2Ah)
 Optional: 2 x 14.4V (3.3Ah) or (5Ah)

Battery Charger

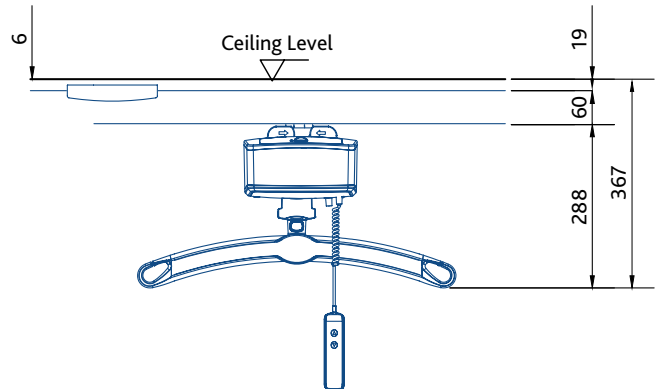
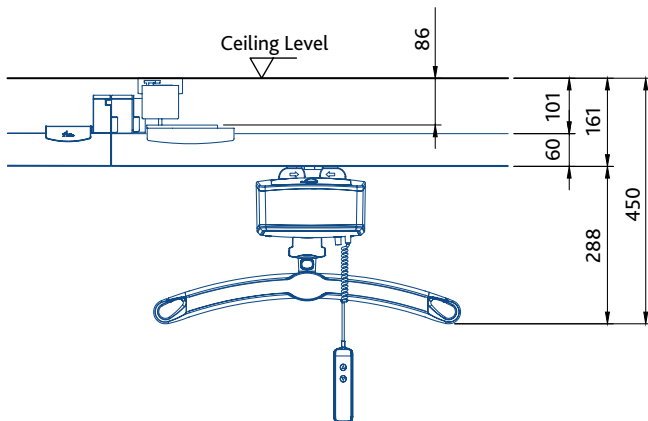
100-240 VAC 40 Watt

Number of Lifts per Charge (Duty: 10/90)

25% of strap at midrange
 (calculated using 5Ah Packs)
 375 with 13st / 84 kg
 170 with 28st / 181 kg
 102 with 50st / 318 kg

Charging time

2 – 4 hours



GoLift

Portable
compact
ceiling lift



GoLift Portable

Light, but heavy duty

The GoLift Portable builds on what the fixed GoLift Hoist has perfected. Reliability is key, and that is why we have insisted on having all metal gears. And despite being one of the lightest overhead hoists available, it is still capable of lifting 204kg (32 Stone).

Compatible

Designed to be flexible, the GoLift Portable will fit onto any tracking system, fixed or gantry, that has a trolley to accept a portable hoist.

Simple to use

The GoLift Portable is designed for convenient lifting. The operator (or user) can choose from the integral controls on the hoist, or the Bluetooth wireless hand control. Either way, you will experience a soft start, comfortable lift, with up to 55 cycles per charge, making it suitable for a multi-user environment.



GoLift Portable Specifications and Listings



Safe Working Load (SWL)

204 kgs

Dimensions (see diagram)

A: 28 cm min, 198 cm max

B: 13 cm

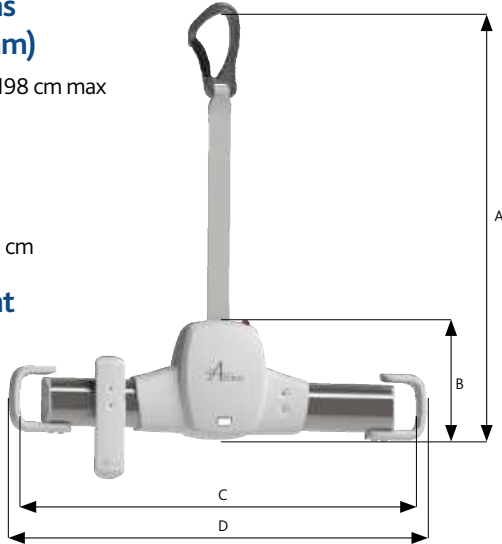
C: 46 cm

D: 48 cm

Depth of Lift: 9 cm

Unit weight

2.72 kgs



Lift Case

Flame retardant ABS

Safety

Emergency stop : Yes

Emergency lowering device :

Independent Electrical

Manual Lowering

Upper limit detection

Lower limit detection

Slack tape sensor

Free Fall brake (Over speed governor)

Low battery and Dead battery alarms

Soft start and stop

Overload protection

Approvals

Can/CSA-C22.2 No 60601-1:08

CAN/CSA-Z10535.1:15

Max. Lifting Speed

No load: 5 cm/second

150lbs: 3.8 cm/second

450lbs: 2.5 cm/second

Batteries

High Capacity, Long Lasting NiMH

1 x 24V (1.6Ah)

Battery Charger:

100-240 VAC 40 Watt

Hand Control:

Wireless Bluetooth

Number of lifts per charge (Duty : 10/90)

55 with 68 kgs,
(25% of strap at midrange)

30 with 204 kgs,
(25% of strap at midrange)

Charging time

2 – 4 hours

T: +44 (0)28 9446 2233

E: orders@secaretrade.com

www.secaretrade.com

